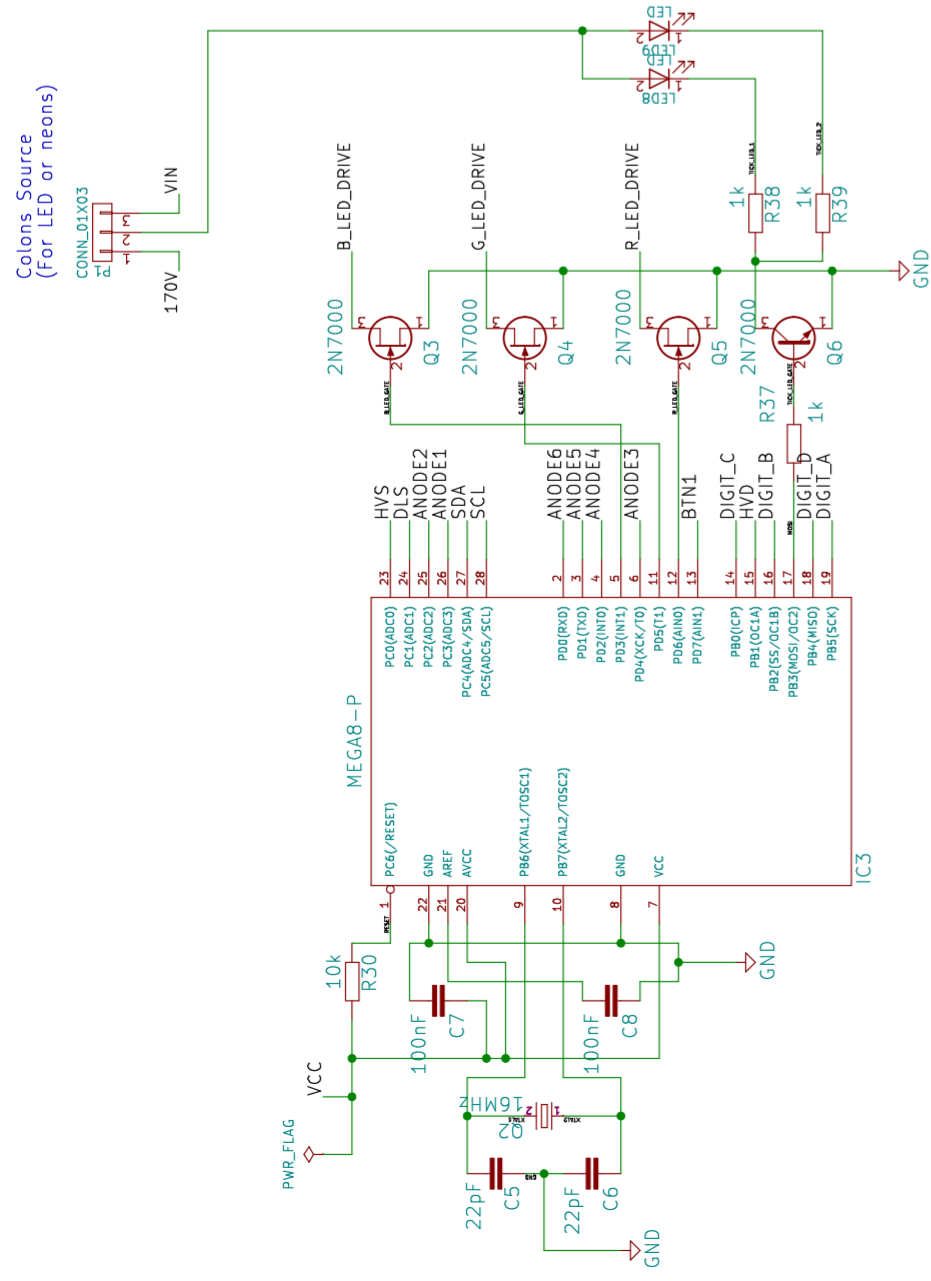
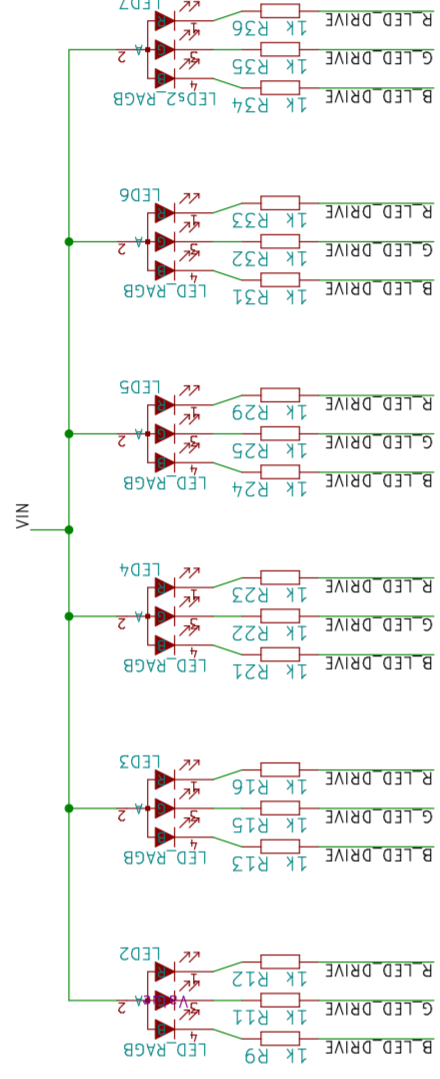


Controller and LEDs

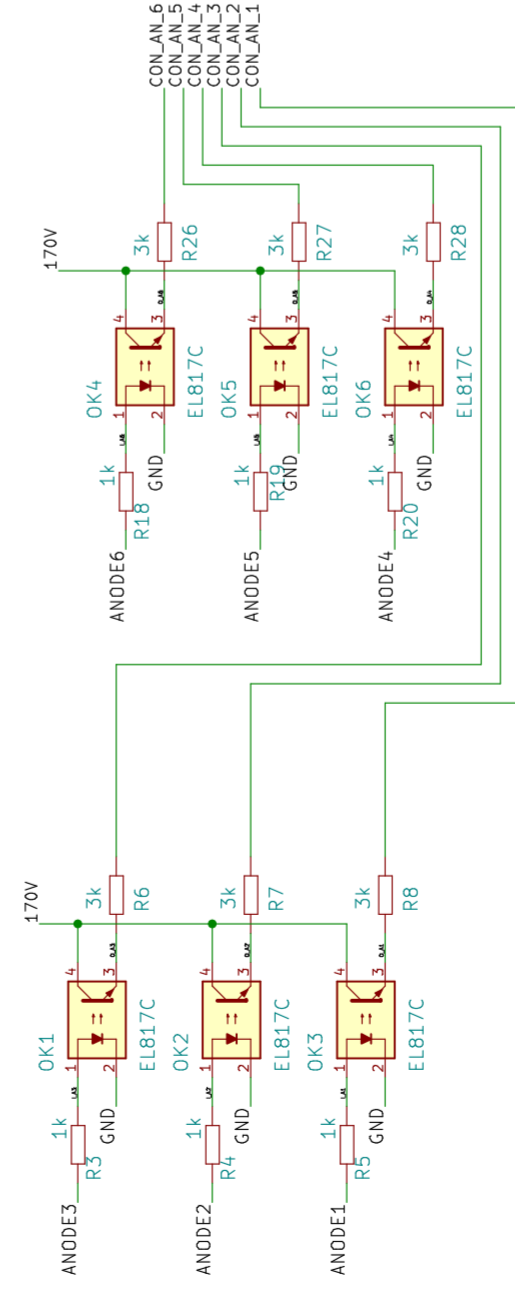


RGB back lights

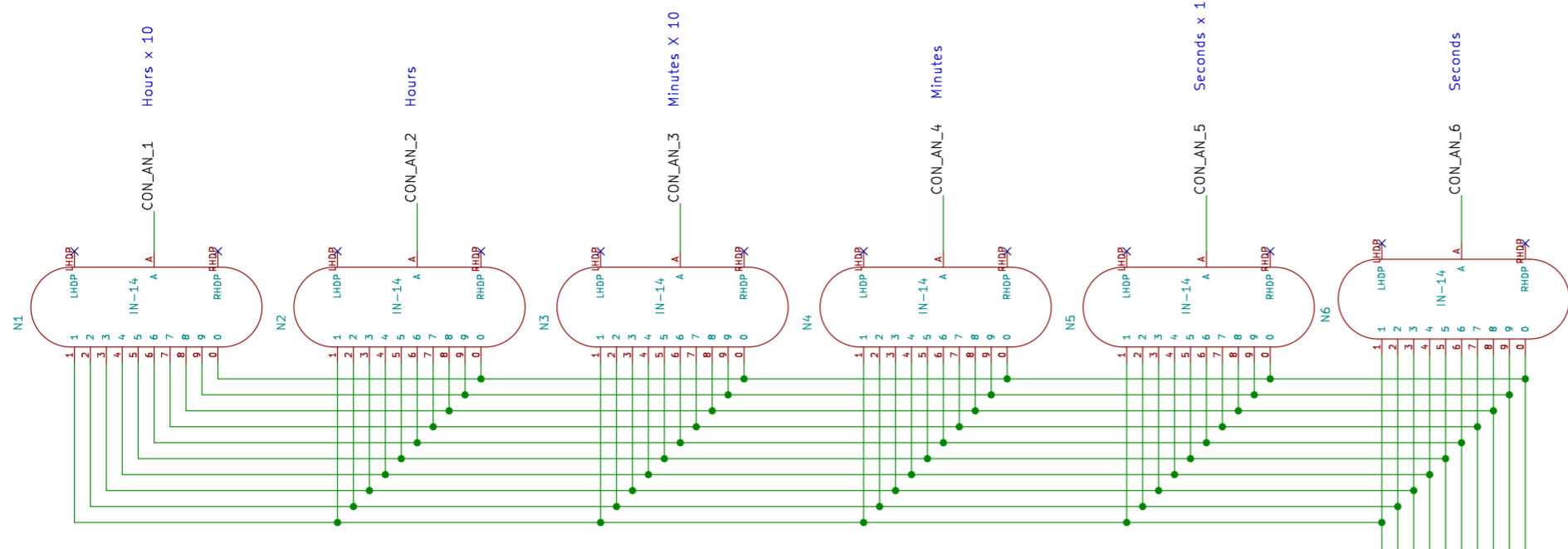


Copyright 2016-2020
Ian Sparkes
This is NOT public domain

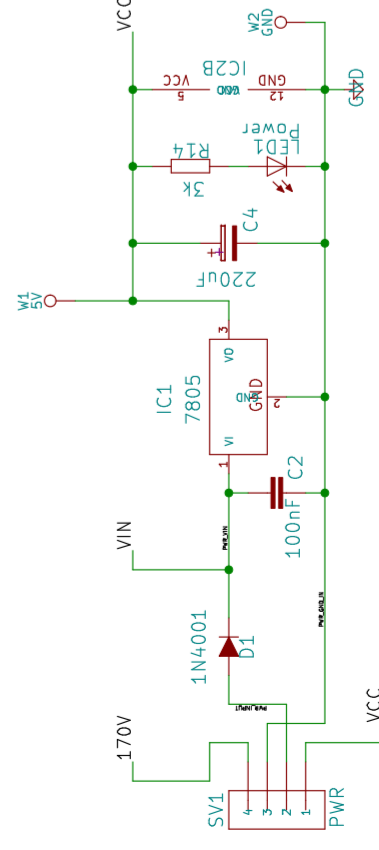
Anode Control



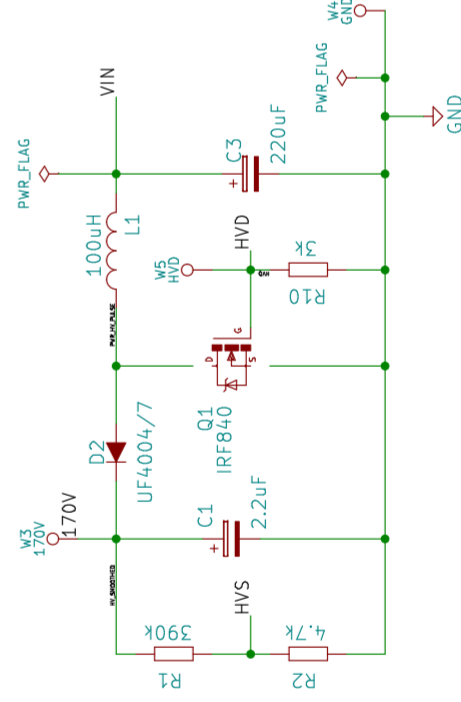
Cathode Control and Tubes



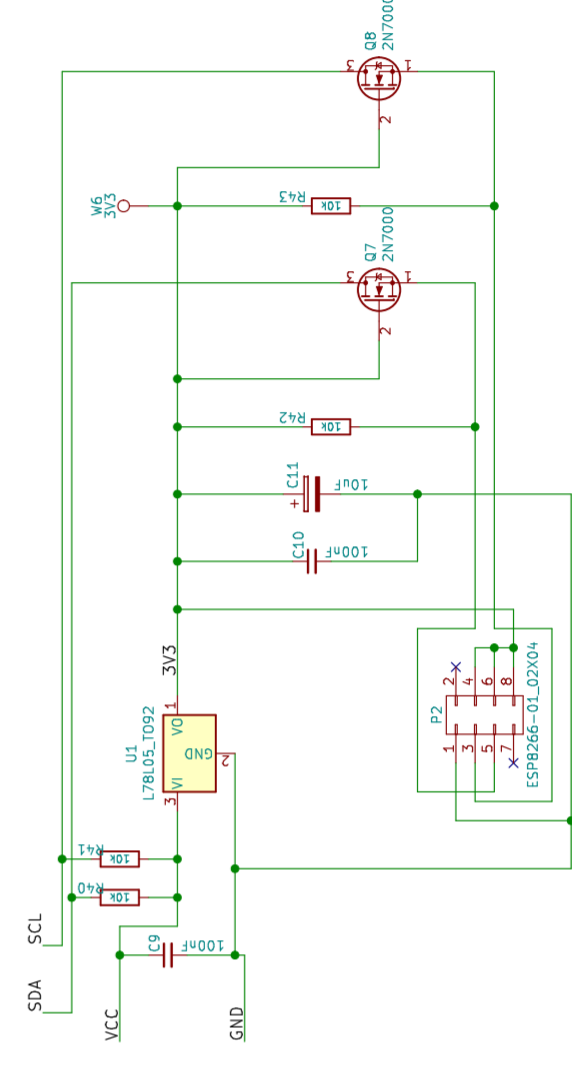
Power regulator



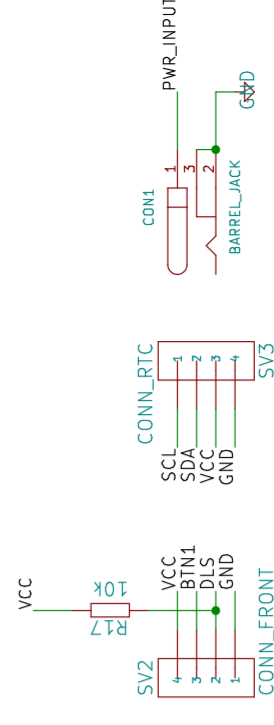
Boost Circuit



ESP8266 Regulator and I2C level shifter



Connectors



NOT public domain
Subject to license
Ian Sparkes
Copyright 2016-2019
Ian Sparkes Nixie Clocks
Sheet: /
File: AllInOneN142.sch

Title: All-In-One Nixie Clock

Size: A2 Date: 2019-04-23

K:\Cad E.D.A. Ricad 5.0.2-bee76a070buntut18.04.1

Rev: Rev 004

Id: 1/1