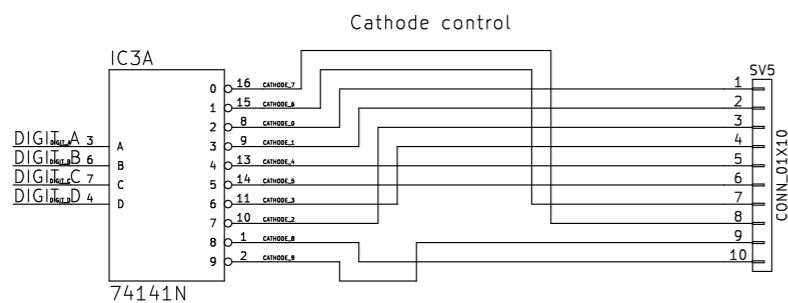
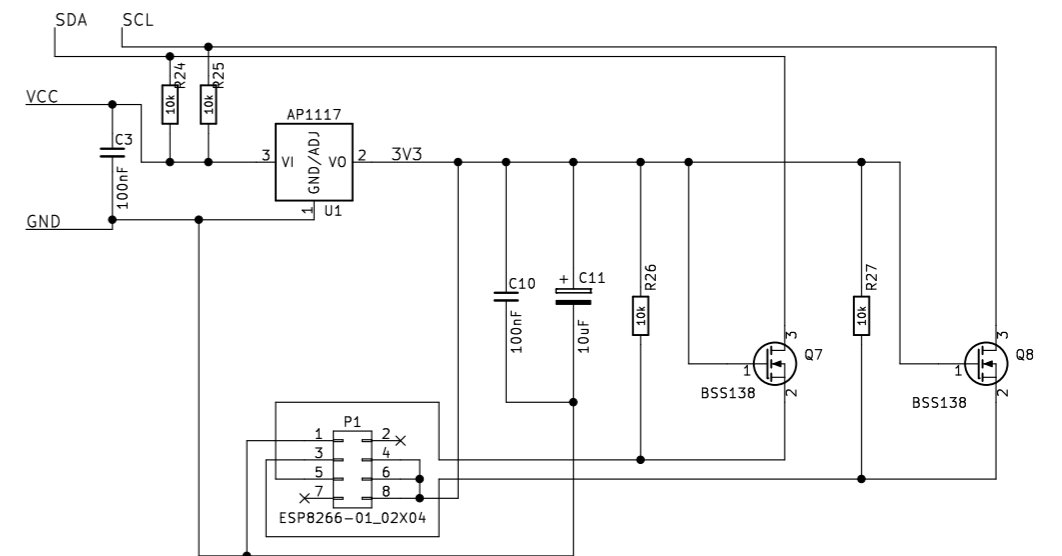


### ESP8266 Regulator and I2C level shifter



Ian Sparkes Nixie Clocks

Sheet: /  
File: ClassicRev5.sch

**Title: Classic Revision 5 Module**

Size: A3 Date: 2016-07-01

Rev: Rev005b

KiCad E.D.A. kicad 4.0.7

Id: 1/1