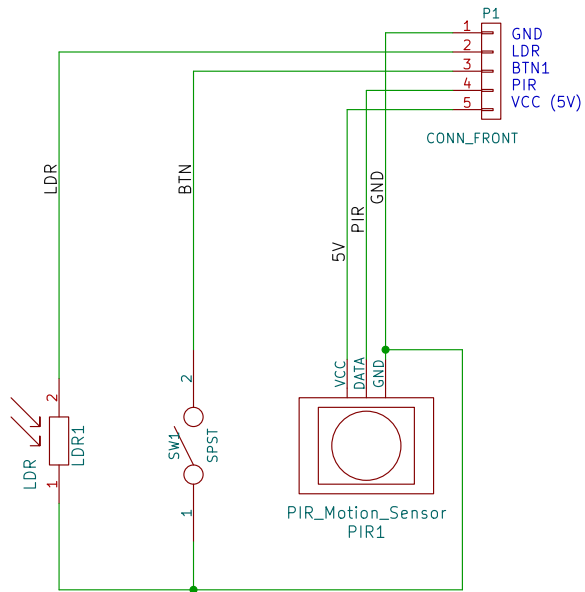
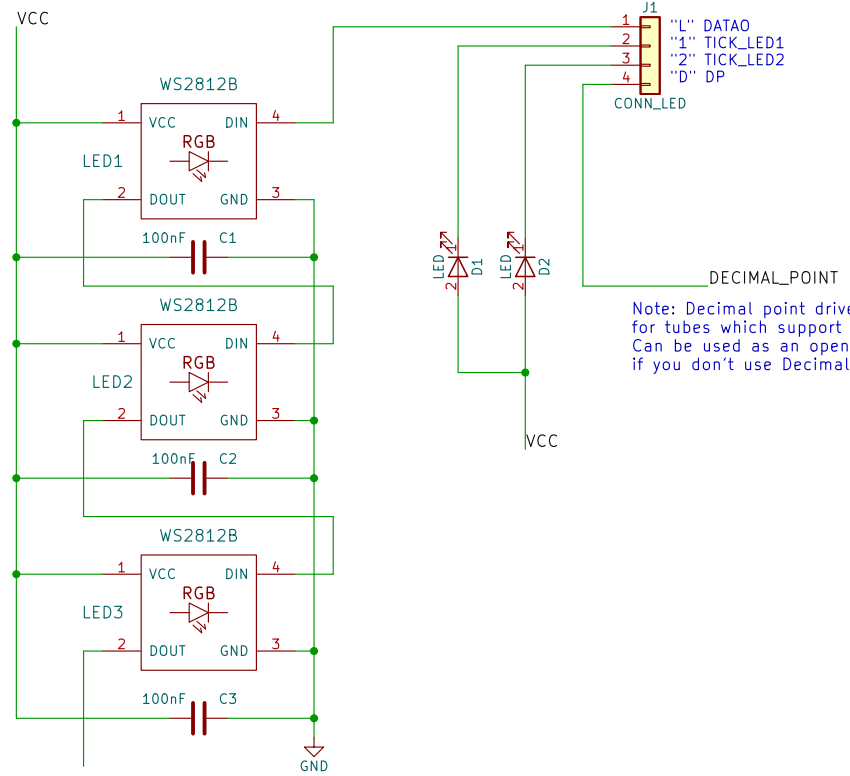


Front Panel Components



LEDs



Note: Decimal point driver for tubes which support it  
Can be used as an open collector GPIO if you don't use Decimal Points

Up to 6 LEDs in daisy-chain

Ian Sparkes Nixie Clocks

Sheet: /  
File: ClassicRev6External.sch

Title: Classic Rev6 Clock External Components

Size: A4 Date: 2019-01-01  
KiCad E.D.A. kicad (6.0.7-1)-1

Rev: Rev006  
Id: 1/1